

# MINI SPEED IP DOME

520 TVL Built-in Fan & Heater 10x Optical Zoom

MODEL : CTNS-101



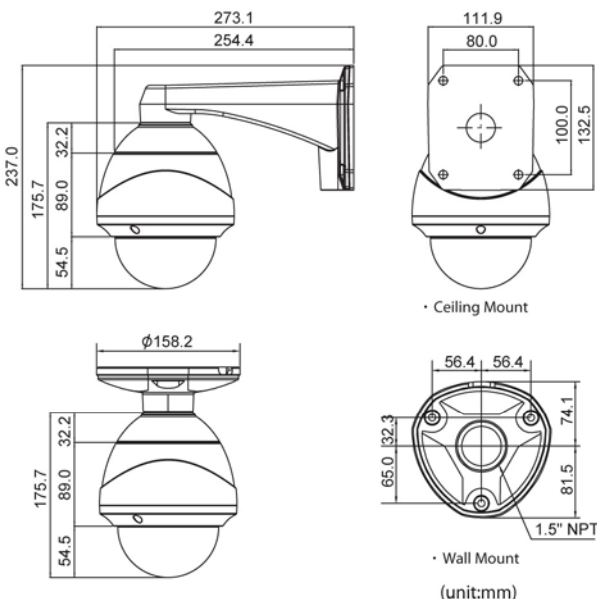
▲ Wall Mount Type

▲ Ceiling Mount Type

## [ Features ]

- Ultra quality H.264 compression, 30fps@720x480 (NTSC)  
25fps@720x576 (PAL)
- X100 Zoom Control (Optical X10, Digital X10)
- High Resolution : 500 TVL(Color), 570 TVL (B/W)
- Min. Illumination : 0.7Lux (Color), 0.02Lux (B/W)
- True Day & Night for clear image 24 hours
- Motion Detection : Region and Sensitivity
- Real time monitoring, saving, recording, playing with the client viewer
- Supports Private, Dynamic, Global, Static IP
- 1 : N, multi-casting and relayed data transmission.
- Firmware upgradeable for the future proof via IP network
- Video loss alarm for continuous monitoring and against illegal disconnection
- Fast&Silent motion by high accuracy micro stepping and Vector Drive technology
- Lowest vibration and endless 360° pan rotation
- Fan & Heater

## [ Dimensions ]



• Ceiling Mount

• Wall Mount

(unit:mm)

## [ Specifications ]

|                   |   |
|-------------------|---|
| <b>NETWORK</b>    |   |
| Interface         | Ethernet 10/100 Base-T  |
| Connector         | RJ-45   |
| Protocols         | TCP/IP, UDP, Multicast, DHCP, SMTP, HTTP, SNMP<br>RTP, RTSP, FTP                      |
| <b>VIDEO</b>      |   |
| Output            | 1 Composite (1 Vpp 75 Ohm, BNC)   |
| Compression       | H.264   |
| Resolutions       | NTSC : 720x480, 720x240, 352x480, 352x240<br>PAL : 720x576, 720x288, 352x576, 352x288 |
| Frame rate        | NTSC : Max 30fps PAL : Max 25fps  |
| Frame Rate Range  | NTSC : 0.2 ~ 30fps PAL : 0.2 ~ 25fps  |
| Bandwidth         | Configurable between 32 kbps and 4 Mbps   |
| <b>AUDIO</b>      |   |
| Input             | 1 Line-in   |
| Output            | 1 Line-out  |
| Standards         | G.711u  |
| Data rate         | 64Kbps  |
| <b>CONNECTORS</b> |   |
| RS-485            | 1 port  |
| Sensor            | 1 port  |
| Relay             | 1 port  |
| <b>CAMERA</b>     |   |
| Model             | <b>CTNS-101</b>   |
| Image Sensor      | Sony 1/4" Super HAD I CCD   |
| Effective Pixel   | NTSC : 380K Pixels [768(H) x 494(V)]<br>PAL : 440K Pixels [752(H) x 582(V)]           |
| H. Resolution     | 500 TV Lines (Color), 570 TV Lines (B/W)  |
| S/N Ratio         | More than 50dB  |
| Optical Zoom      | 10X   |
| Focal Length      | F1.8 ~ 2.8, f=3.8(Wide) ~ 38(Tele) mm   |
| MIN. Illuminance  | Day : 0.4Lux(DSS Off, F1.6, 50IRE) / Night : 0.02Lux(F1.6, 50IRE)                     |
| Day & Night       | Auto / Day / Night (IR Cut Filter)  |
| Focus             | Auto / Manual / Semi-Auto   |
| White Balance     | Auto / Manual (Red & Blue Gain Adjustable)  |
| BLC               | On / Off  |
| Environment       | CTNS-101 : Outdoor  |
| <b>Pan/Tilt</b>   |   |
| Range             | Pan : 360°(Endless) / Tilt : 95°  |
| Pan/Tilt Speed    | Preset : 360°/sec, Manual : 0.05°~ 360°/sec, Swing : 1°~ 180°/sec                     |
| Preset            | 127 Presets with Labels / Independent Preset Characteristic Setup                     |
| Pattern           | 4 Patterns  |
| Swing             | 8 Swings  |
| Group             | 8 Groups  |
| <b>General</b>    |   |
| Communication     | RS-485  |
| Protocol          | Pelco-D, Pelco-P Selectable   |
| Privacy Zone      | 8 Zones   |
| Sensor In/Out     | Built-in 4 Input / 2 Output   |
| OSD               | English On / Off  |
| Power Consumption | DC12V / 3.0A  |
| Weight            | Approx. 2 Kg / 4.4 Lbs  |
| Operating Temp.   | -30°C~50°C / -22°F~122°F  |
| MANAGEMENT S/W    | Support web viewer, 16 ch viewer, 36 ch viewer(optional)                              |