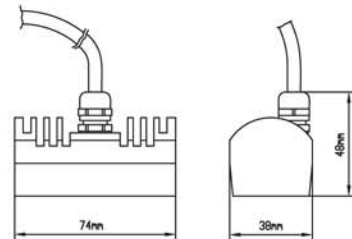




IR-21



Wavelength, nm	
Illumination range, m	25
Emission angle, °	25±2
Continuous current, A	
Input voltage, V	
Dimensions, mm	
Weight, kg	
Protection Standard	

Technical parameters

Model	IR-21
Wavelength, nm	880±20
Illumination range (see n. Product purpose), m	25
Viewing angle, $2\theta_{0.5}$, °	25±2
Continuous current, A	0,35max
Input voltage, V	12±0,6
Operating temperature, °C	-30...+40
Dimensions, mm	74x38x48
Weight, kg	0,245
Protection Standard	IP66

Product purpose.

The IR-illuminator is designed for the covert illumination of the observed object in the conditions of insufficient illuminance.



Warning!
Dissolvents and chemical reagents are never allowed for cleaning!

Storage rules.

The illuminator should be stored in the closed space without corrosive medium in the form of vapour and acids and alkali mist. The ambient air temperature should be from -50°C to +50°C; the air relative humidity should not be above 95% at the temperature of 25°C.

Warranty.

The producer or the supplier guarantees the IR-21 series illuminator conformity to the technical requirements under condition that the user observes the storage and operation rules provided by the instruction manual. The warranty period is 36 months from the date of sale. The warranty validity expires in case of the user non-observance of the storage or operation rules, case integrity breach or voluntary repair, alteration, modernization etc.

The distance of the illumination is indicated for the black and white videocamera without IR correction featured with the 1/3" matrix the sensitivity of which is no worse than $1,5 \cdot 10^{-5}$ W/m² in the IR band of 0,8...1 μm (the equivalent of the videocamera with the sensitivity of 0,01 lx), the objective is F1.4. The illuminator can be installed either outdoors or indoors. During the installation it is necessary to provide free circulation of the ambient air round the case of the illuminator for cooling.

Set of delivery.

IR illuminator – 1 pc, packing – 1 pc, instruction manual – 1 pc.

The device design.

The IR-21 series illuminator contains an IR-radiator based on luminodiodes with the built in forming optics. Constructively the illuminator consists of the case, made of aluminum alloy. On the face side of the case the luminodiodes are installed, they are covered with the light filter made of special plastic. The back side of the illuminator has radiator fins.

Certificate of acceptance.

ID number _____

The illuminator passed the engineering control test and is considered to be in operational condition.

ECD(Engineering Control Department) Stamp

Date of the test _____

Trade organization _____
(Place for stamp)

Date of sale _____

Signature of the buyer _____

In the back area free of the radiator fins there is a mounting hole for a standard bracket with 1/4" thread.

Safety measures.

This IR illuminator complies with EN60065:2001+Amd1:Audio, Video & similar electronic apparatus: Safety requirements and Maximum Permissible Exposure limits of IEC60825-1. This product conforms to EMC Directive 89/336/EEC as amended by 92/31/EEC and 93/68/EEC.



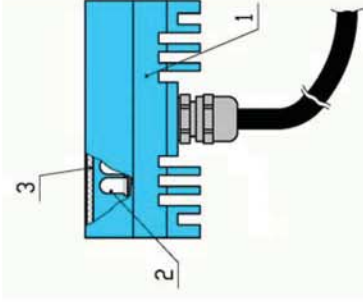
Caution! Invisible LED radiation! Do not view directly with optical instruments (magnifiers). CLASS IM LED product.

It is necessary to observe the polarity of the power supply connection: - (+) red or brown, (-) black or blue.

It is forbidden to use the illuminator with the parameters exceeding the maximal permitted values.

Maintenance.

During the illuminator operation as it becomes dirty it is needed to clean the protective light filter and radiator fins.



Picture 1. The IR-21 illuminator. Main view.
1 – case, 2 – luminodiodes, 3 – light filter

The radiator cleaning is done by means of dust elimination with the help of a scrub or a brush. When required water can be used.

The light filter cleaning is done with the help of a wet cotton cloth with the continuous change of the cloth contacting surface to avoid filter surface damage by abrasive material.



INFRARED ILLUMINATOR
IR-21

