



# FIRE ALARM SMOKE DETECTOR

## OD-912 ตรวจจับควันไฟ

The EP/OD/ID detector series are the leading products of the global industry of security. Models of EP/OD/ID series are formed by optical/ smoke/ heat detectors. These are detectors are prior to their competitors at the levels of speed and high detection performance.



### Features

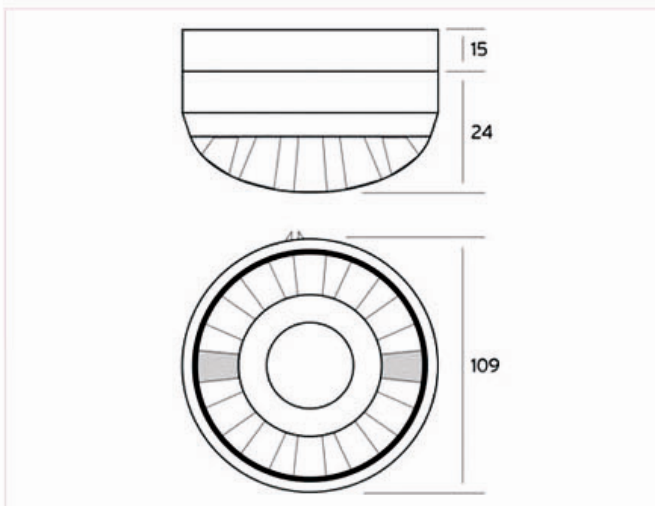
- Small profile, Aesthetical design
- Omniview 360° LED signal indicator
- High-sensivity for optical/termical detection
- Cleanable optic cell
- Suitable connection equipments for cable connections
- Ceiling-mount suitable base
- Easy to connect with control panel via interior relay
- Strong construction against air streams pollution an therefore parasites
- Protective plastic shield
- Mounting lock

### Technical Specifications

Model	OD-912
Detector Type	Optic
Operating Voltage	12VDC
Stand-by Current	30µA7
Alarm Current	80mA
Alarm Degree	-
Alarm Display	Double LED
Output Type	Relay output
Reset	Automatic
Sensor Element	IR
End of Line	Available
Humidity	%90
Environment	Indoor
Base	TB 912-924
Housing	ABS plastic
Color	White
Protective Housing	Available
Sabotage Lock	Available
Dimensions	50X109
Weight	140gr
Operating Temperature	-10°C ~ +50°C

### Dimensions

Unit:mm



### Accessories

#### Base



TB 724/924/124



The manufacturer reserves the right to change the specification and technical data of device. The picture may vary from the real product.



WWW.GUNKAMOEY.COM